

Part number

CHVT 32.7



Brief description:

hoods for two levers, size "77.62", top entry, 1" 1/4 NPT, metal version, IP66

Product description	
Version	metal version
Series	hoods for two levers
Product type	with 4 pegs
Variant	top entry
Family	CLASS enclosures
Size	size "77.62"
Technical data	
Material	metal
IP degree of protection	IP66 (and IP69K DIN 40050 - 9)
Cable entry	1" 1/4 NPT
Further technical details	
Weight	531,00 g

Approvals / Standards	
Quality mark	UL [®] (type:4/4X/12), [®] GL, EAC
Conformity	CQC, CE
General ordering information	
EAN13 code	8015747025843
Tariff number	85369095
Packaging Information	
Packaging length	220,00 mm
Packaging height	210,00 mm
Packaging width	230,00 mm
Packaging weight	4,25 kg
Packaging volume	10,63 dm ³
Packaging description	Carton box
Packaging quantity	8 Pcs
Packaging EAN code	8015747025850
Sub-packaging weight	0,53 kg
Sub-packaging description	Plastic pakaging
Sub-packaging quantity	1 Pcs
Sub-packaging EAN barcode	8015747025867

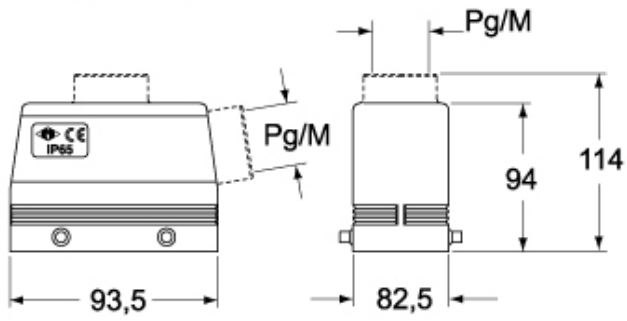
Part number

CHVT 32.7



Catalogue drawings

**CHO - CHV MHO/MFO/MFV - MHV
MMV (MMAV)**



CHV G - MHV G - MFV G

